

# HA308N

## Instructions

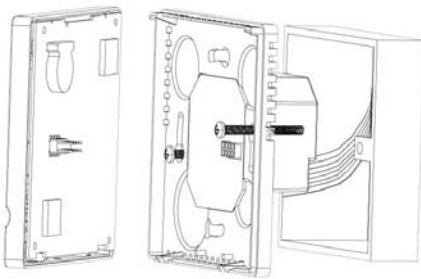
- ☐ Override / Timing On/Off / 5+2 Day Programmable
- ☐ Blue Backlight (Optional)
- ☐ Infrared Remote Control (Optional)
- ☐ Remote Sensor (Optional)



### SPECIFICATIONS

- ☐ Sensing element : NTC
- ☐ Display: LCD
- ☐ Power consumption: <2W
- ☐ Set-point range: Room: 5°C to 35°C  
Equipment: 5°C to 90°C (-S1)  
Floor: 20°C to 90°C (-S2)
- ☐ Accuracy: ± 1°C
- ☐ Button: Touch pad
- ☐ Switch current rating: < 16 A (resistive load)  
< 6 A (inductive load)
- ☐ Power supply: AC85~260V, 50/60 Hz
- ☐ Dimensions: 86 × 86 × 13 mm (W × H × D)
- ☐ Fixing screw width: 60mm
- ☐ Housing: ABS + PC Flame Retardant
- ☐ Operating rating: 0~40°C, 5~95%RH (non-condensing)
- ☐ Control performance: On/Off control, 2°C differential

### MOUNTING

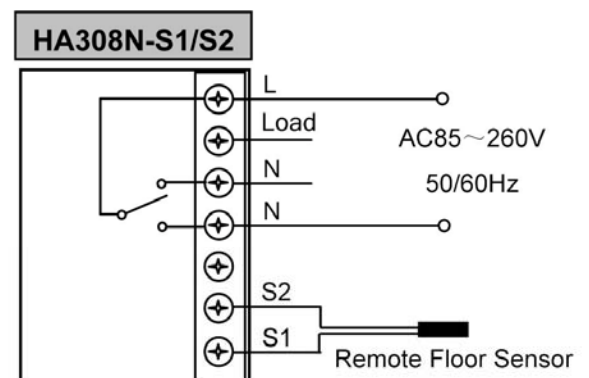
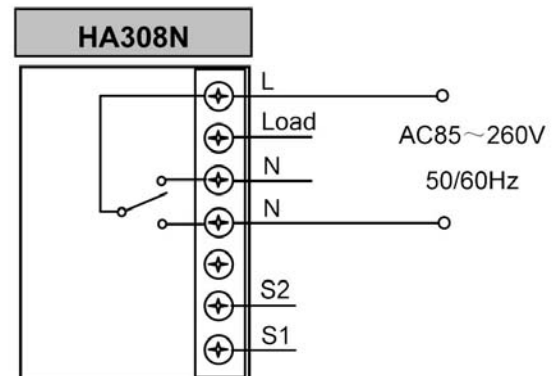


Screw terminals: 1 x 4 mm<sup>2</sup>

### BUTTON DESCRIPTION



### WIRING DIAGRAMS



## POWER ON/OFF

- ☞ To turn thermostat on or off press "⏻"

## FROST MODE (THERMOSTAT OFF)

To enable this operation.

- ☞ With thermostat turned off.

Press "M" for 3 seconds.

Select 01 (00 = disabled)

When enabled and thermostat has been turned off, the icon "△" will be showed and the heating will be activated if the room temperature is lower than 5°C; the heating will be stopped if the room temperature is higher than 7°C.

## TEMPERATURE CALIBRATING

☞ With thermostat turned off, Press "▲" and "▼" for 3 seconds. The display will show the measured temperature.

☞ Press "▲" or "▼" to adjust the temperature to the correct value.

☞ Press "⏻" to turn off. The calibration setting will be stored.

## NORMAL OPERATING MODE

**RT** = When thermostat is in the operating mode; RT is displayed and indicates the Room Temperature.

**SET** = Pressing the Up or Down key once will display SET and the current set-point temperature. You are able to increase/decrease the set-point temperature using the Up/Down key. This temperature change is only temporary and will be maintained only until the next programmed setting.

## OVERRIDE / TIMING ON/OFF / 5+2 DAYS 4 PERIOD PROGRAMMABLE SELECT

With the thermostat turned on, press "M" button for 3 seconds. You can select below settings:

01 = Override.

02 = timing on/off. And the display will show "⌚".

03 = programmable. And the display will show "△".

## SETTING THE CLOCK

- ☞ Press "⌚" once, hour will be flash.
- ☞ Use the Up/Down key to select the hours.
- ☞ Press "⌚" again, minute will be flash.
- ☞ Use the Up/Down key to select the minutes.
- ☞ Press "⌚" button, till to week flash.
- ☞ Use the Up/Down key to select the day of the week.

## SETTING THE TIMING ON/OFF

When select Timing On/Off function and the display show "⌚", you could set "TIMER ON" / "TIMER OFF".

☞ Press "⌚" till to display "TIMER ON" and "hh" all flash, press "▲" or "▼" to adjust hour, press "⌚", "mm" flash, press "▲" or "▼" to adjust minute; Press "⌚" till to display "TIMER OFF" and "hh" all flash, press "▲" or "▼" to adjust hour, press "⌚", "mm" flash, press "▲" or "▼" to adjust minute.

The settings will be finished after the TIME OFF. I.e. the settings validity is a day.

**To disable the function, you have 2 ways:**

1> Select to "Override" or "Programmable" mode.

2> Set the TIME ON/OFF to "00:00".

## SETTING THE HEATING PROGRAM

When select Programmable function and the display show "△". You could set the heating program.

☞ Press "⌚" for 3 seconds, the number 1 and "Mo Tu We Th Fr" are displayed.

This indicates that you are able to program switching time 1 for the week-day.

☞ Use Up/Down key to set the required start time.

☞ Press "⌚" to accept this setting.

☞ Use the Up/Down key to set the required temp.

☞ Press "⌚" to accept this setting.

☞ Repeat for switching times 2-4 week-day.

☞ After you have programmed times 1-4 for the weekday, you are now able to set the switching times for weekend "Sa Su" will be displayed.

☞ Use Up/Down key to set the required start time.

☞ Press "⌚" to accept this setting.

☞ Use the Up/Down key to set the required temp.

☞ Repeat for switching times 2-4 for the week-end.

**To disable the function:** Select to "Override" or "Programmable" mode.

## HA308N-S2 with the following functions!

### SETTING THE FLOOR MAXIMUM LIMIT

☞ With the thermostat turned off.

☞ Press "M" for 5 seconds and until the display show "❄", now leave "M" button, the display show "❄" and "SET".

☞ You are now prompted to enter the maximum floor limit.

☞ Range = 20~90°C.

### READING THE FLOOR TEMPERATURE

☞ With the thermostat turned on.

☞ Press "M" once, the "⌚" will be flashed, then the display show the floor temperature.