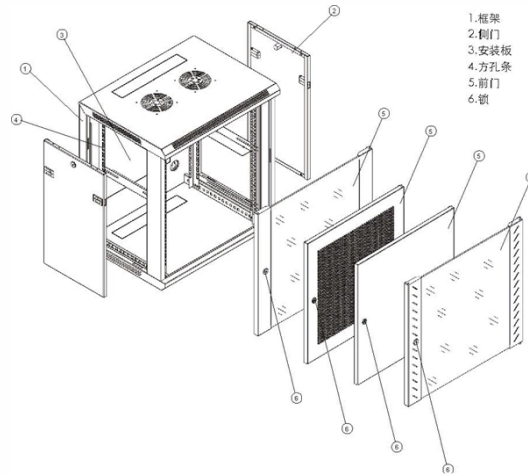


## Does fiber optic communication require wiring



### Overview

Generally, the answer is no. You do not need to rewire your home for fiber optic internet. Here's why: Fiber optic internet service usually connects from your provider's network to a device known as the Optical Network Terminal (ONT). The charter of the FOA was to promote professionalism in fiber optics through education, certification, and. A fiber internet setup relies on four essential components that work together to deliver a strong, high-speed connection throughout your home: Fiber-optic cable: Made of ultra-thin strands of glass, the fiber-optic cable carries data as light pulses rather than electrical signals. Below, we'll break down why rewiring isn't typically needed, when. Fiber-optic communication is a form of optical communication for transmitting information from one place to another by sending pulses of infrared or visible light through an optical fiber. The light is a form of carrier wave that is modulated to carry information.

## Article Content

### How is Fiber Internet Installed? Everything You Need to Know

Fiber optic internet is generally installed in the following 5 steps, which we'll dive deeper into throughout the article: A technician checks your area and prepares the connection from the ...

### FOA Standard For Installing Fiber Optic Cable Plants

The type of fiber optic cable and the fibers in the cable should be chosen appropriate for the type of communications system(s) being supported, the type of installation and the environment in which the ...

### Do I need to rewire my house for fiber-optic?

Find out if you need to rewire your home for fiber internet. Learn about fiber optic installation, existing wiring, and professional setup.

### Fiber-optic communication

Modern fiber-optic communication systems generally include optical transmitters that convert electrical signals into optical signals, optical fiber cables to carry the ...

### Fiber Optic Cable Installation: How To Properly Install It

Fiber optic networks require specialized optical network terminals (ONTs) or fiber modems to convert optical signals into electronic signals compatible with electronic devices.

### Application Guide: Wiring Residential Buildings with Fiber Optic Cable

Demarcation wiring almost always requires single mode (OS2) fiber optic cable. Never pull multimode fiber to the demarcation point unless specifically required by the internet service provider.

### Does Fiber Internet Require Modem Equipment?

The answer is no; fiber internet doesn't need a traditional modem. A standard cable or DSL modem's job is to convert electrical signals into digital data that your devices can understand. ...

### Application Guide: Wiring Residential Buildings with ...

Demarcation wiring almost always requires single mode (OS2) fiber optic cable. Never pull multimode fiber to the demarcation point unless specifically required by ...

### Do i need to rewire my house for fiber optic?

Rewiring your house for fiber optic is not always necessary. It depends on the existing infrastructure and wiring in your home. In some cases, fiber optic cables can be installed alongside existing wiring ...

## Do I Need to Rewire My House for Fiber Optic?

Generally, the answer is no. You do not need to rewire your home for fiber optic internet. Here's why: Fiber optic internet service usually connects from your provider's network to a device known as the ...

### What does my house need for fiber internet?

Preparing your home for fiber internet involves understanding the physical infrastructure and equipment required. This guide breaks down precisely what your house needs, from external connections to ...

### Fiber Optic Internet Installation Guide: Steps for Installing Fiber ...

Learn how fiber optic internet installation works, from network planning to internal ONT setup. Discover step-by-step guidance for installing fiber optic cable and choosing reliable fiber optic ...

## Contact Us

For more information, pricing, or custom solutions, please contact us:

Website: <https://mastercarpetsandflooring.co.za>

Email: [info@mastercarpetsandflooring.co.za](mailto:info@mastercarpetsandflooring.co.za)

Phone: +27 82 547 3961

Address: 21 Maxwell Drive, Woodmead, Sandton, 2191, South Africa

This document is for informational purposes only. Specifications subject to change without notice.

