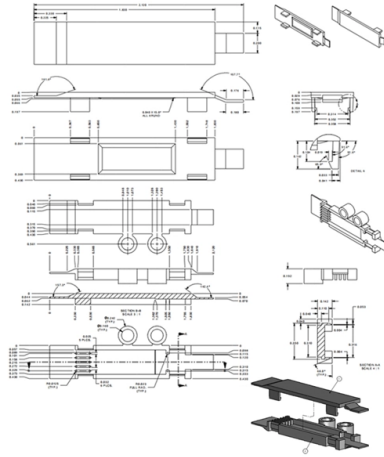


## How to check the optical module s serial number



### Overview

Run the following command to view device board information and identification details of all optical modules: show inventory The output includes the module type, serial number, Cisco-compatible part number, and other details, which are retrieved from the pre-programmed data in the. Run the following command to view device board information and identification details of all optical modules: show inventory The output includes the module type, serial number, Cisco-compatible part number, and other details, which are retrieved from the pre-programmed data in the. i have a modul SFP 10G and cisco SNS 3755, i want to check the serial number of inserted sfp, already googling but not working. how to check sfp module is working?

(the indicator lamp woking fine) 03-14-2024 12:51 AM Hi Asri, The best way i know is to enter this command: Just replace the port. Run the display elabel command to view the electronic label of an optical module. BarCode indicates the serial number of the optical module. < HUAWEI > display elabel. [Port\_XGigabitEthernet0/0/1] /\$ [ArchivesInfo Version] /\$ArchivesInfoVersion=3. By checking module health, compatibility, and digital diagnostics, you can quickly confirm correct installation, detect optical problems, and maintain accurate hardware. This article describes the troubleshooting feature for when Small Form-Factor pluggable (SFP) transceivers are installed on the FortiGate showing vendor information, fiber type, temperature, voltage, and optical power. FortiGate models that have SFP transceivers, or can accommodate SFP.

## Article Content

How to check SFP Module transceiver, Vendor name & power check ...

To check the details of an SFP module in Red Hat Enterprise Linux (RHEL), you can use the `ethtool` command. Use the following command to check the SFP module details for a specific network interface.

Technical Tip: How to check SFP transceiver module serial number ...

This article describes the troubleshooting feature for when Small Form-Factor pluggable (SFP) transceivers are installed on the FortiGate showing vendor information, fiber type, ...

Optical Transceiver Manufacturer,How to check optical module ...

We will introduce how to query the information of optical module on Cisco switch. First, we need to connect to the network, and then log on to the management platform of Cisco switch.

Cisco SFP Commands Cheat Sheet: Check Status

This guide gives a practical, CLI-focused workflow for checking SFP health and diagnostics on Cisco switches, shows the exact commands you'll use, explains ...

Cisco Command to Check SFP Module Details

Learn Cisco commands like `show inventory` and `show interface transceiver detail` to monitor SFP modules, DDM metrics, and compatibility.

How to check SFP Module transceiver, Vendor name

To check the details of an SFP module in Red Hat Enterprise Linux (RHEL), you can use the `ethtool` command. Use the following command to check the SFP module ...

Cisco SFP Commands Cheat Sheet: Check Status & Troubleshoot ...

This guide gives a practical, CLI-focused workflow for checking SFP health and diagnostics on Cisco switches, shows the exact commands you'll use, explains what the numbers mean, and compares ...

How Can I View the Serial Number of an Optical Module?

How Can I View the Serial Number of an Optical Module? Method 1: Obtain the Optical Module Serial Number by Using a Command Run the `display elabel` command to view the electronic ...

How to Use Cisco Command to See SFP Module Details?

Lists all installed hardware including SFP modules, showing product ID, version, and serial number. Displays detailed SFP info including temperature, voltage, Tx/Rx power, vendor, and part number. ...

## How to Check SFP Module: Testing and Compatibility

This command lists the hardware model, vendor information, and serial number of installed transceivers. It helps verify whether the correct SFP module is being used.

## How To View Port Status And Optical Module Information On Cisco ...

The output includes the module type, serial number, Cisco-compatible part number, and other details, which are retrieved from the pre-programmed data in the optical module.

## How to check sfp module serial number

This command provides detailed information about the SFP module, including its type, status, and various optical parameters such as temperature, voltage, and power levels.

## Contact Us

For more information, pricing, or custom solutions, please contact us:

Website: <https://mastercarpetsandflooring.co.za>

Email: [info@mastercarpetsandflooring.co.za](mailto:info@mastercarpetsandflooring.co.za)

Phone: +27 82 547 3961

Address: 21 Maxwell Drive, Woodmead, Sandton, 2191, South Africa

This document is for informational purposes only. Specifications subject to change without notice.

